

LAL		Revisions			2	C
Rev.	Description	Chk.	Date	Approved		
A	ENGRG RELEASE	<i>JW</i>	<i>3/16/76</i>	<i>[Signature]</i>		
B	ADDED 3M COMPANY PART NO. TO ITEMS 1,2,3,&4.	<i>[Signature]</i>	<i>1-26-76</i>	<i>[Signature]</i>		
C	ADDED WIRE LIST, SH 5 & 6.	<i>[Signature]</i>	<i>1-13-76</i>	<i>[Signature]</i>		

**ENGINEERING  
RELEASE**

Dist. Code **ALT**

<p>These drawings and specifications, and the data contained therein, are the exclusive property of Xerox Corporation and/or Rank Xerox, Ltd. issued in strict confidence and shall not, without the prior written permission of Xerox Corporation or Rank Xerox, Ltd., be reproduced, copied or used for any purpose whatsoever, except the manufacture of articles for Xerox Corporation or Rank Xerox, Ltd.</p>	Notes Unless Specified	Drawn <i>[Signature]</i> <i>3-16-76</i>	Xerox Corporation El Segundo, California			<b>XEROX</b>
	<p>1. Tolerances .XX ±.030      Angular ±½° .XXX ±.010</p> <p>2. Break All Sharp Edges .010 Approx.</p> <p>3. Mach. Surfaces      ✓</p> <p>4. All Dim. In Inches</p>	Check <i>[Signature]</i> <i>3/22/76</i>	<b>ALTO II</b>  <b>ASSEMBLY, CABLE - HY-TYPE/XREG</b> <b>(INTERNAL)</b>			
		Appr. <i>[Signature]</i> <i>3/26/76</i>				
		Material				
Model No. <b>ALTO II</b> First Use <b>EWO 7YF92</b>	Finish	Code Ident. <b>18338</b>	Size <b>A</b>	Dwg. No. <b>216416</b>	Change Letter <b>C</b>	
Next Assy. First Use <b>216302</b>		Scale <b>NONE</b>	Do Not Scale Drawing		Sheet <b>1 OF 6</b>	

NOTES: UNLESS OTHERWISE SPECIFIED

1. FABRICATE PER XEROX SPEC 209154.
2. CONNECTOR, EDGE (ITEM 1) MAY BE PURCHASED FROM AMP INC, HARRISBURG, PENN, P/N 88083-1 OR 3M COMPANY, ST PAUL, MINN, PART NO. 3415-0001. SEE NOTE 6.
3. CONNECTOR, BULK HEAD (ITEM 2) MAY BE PURCHASED FROM AMP INC, HARRISBURG, PENN, P/N 206653-1 OR 3M COMPANY, ST PAUL, MINN, PART NO. 3483-1000. SEE NOTE 6.
4. RIBBON CABLE (ITEM 3) MAY BE PURCHASED FROM ANSLEY ELECTRONIC CORP, LOS ANGELES, CALIF P/N 171-50 OR 3M COMPANY, ST PAUL, MINN, P/N 3365-50. SEE NOTE 6.
5. POLARIZING KEY (ITEM 4) MAY BE PURCHASED FROM AMP INC, HARRISBURG, PENN, P/N 88113-01 OR 3M COMPANY, ST PAUL, MINN, PART NO. 3439-0000. SEE NOTE 6.
6. CABLE ASSY TO BE FABRICATED USING COMPATIBLE PARTS: AMP CONNECTORS (ITEM 1 & 2), ANSLEY RIBBON CABLE (ITEM 3), & AMP POLARIZING KEY (ITEM 4) OR 3M COMPANY CONNECTORS (ITEM 1 & 2), 3M COMPANY RIBBON CABLE (ITEM 3), & 3M COMPANY POLARIZING KEY (ITEM 4).
7. MARK CHARACTERS 12 HIGH, "NEWS GOTHIC".
8. THESE DIMENSIONS ARE FOR AMP CABLE ASSEMBLIES ONLY.

These drawings and specifications, and the data contained therein, are the exclusive property of Xerox Corporation and/or Rank Xerox, Ltd. issued in strict confidence and shall not, without the prior written permission of Xerox Corporation or Rank Xerox, Ltd., be reproduced, copied or used for any purpose whatsoever, except the manufacture of articles for Xerox Corporation or Rank Xerox, Ltd.

Title  
ALTO II  
ASSEMBLY, CABLE - HY-TYPE/XREG  
(INTERNAL)

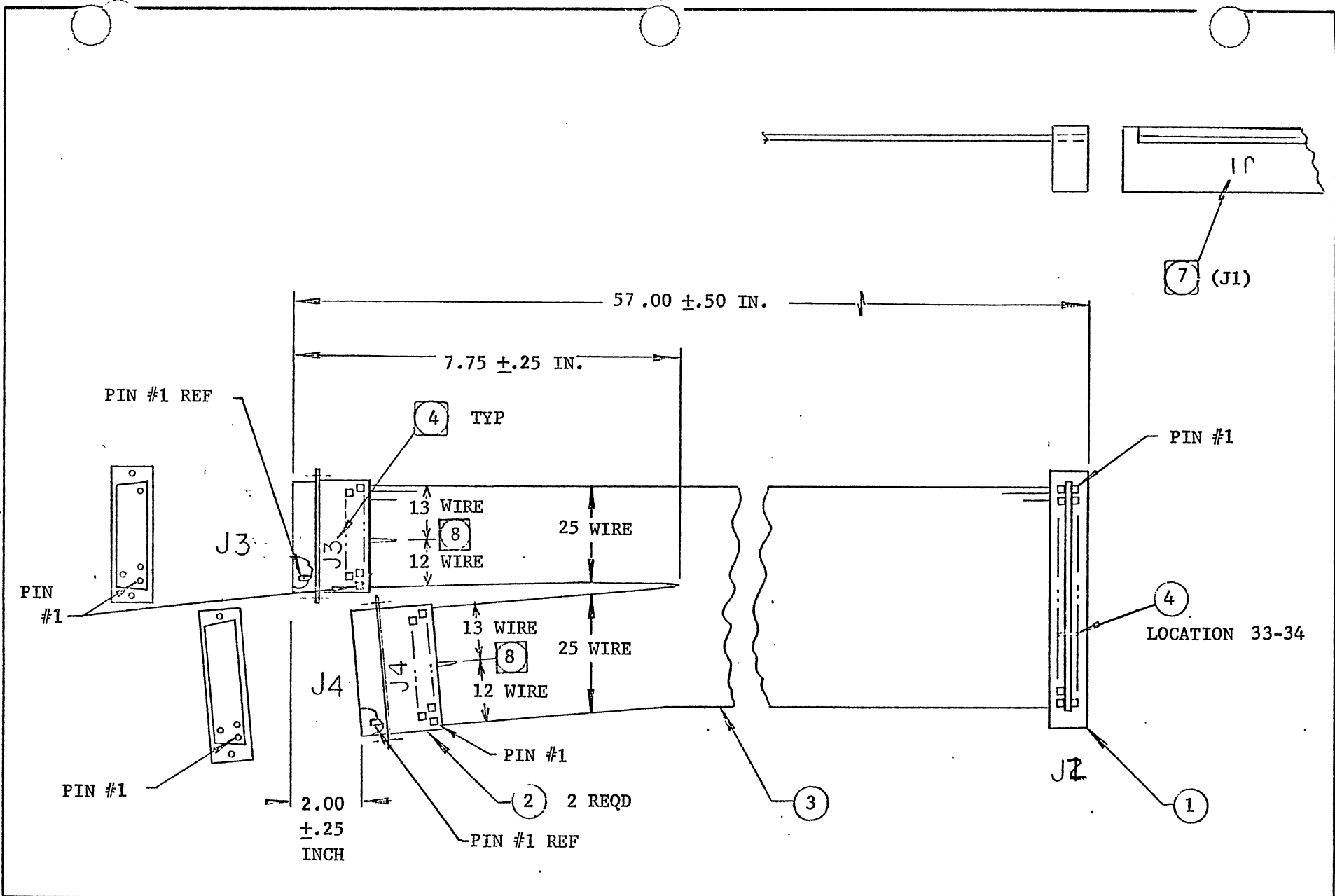
Xerox Corporation  
El Segundo, California

**XEROX**

216416

C

Sheet 2 Of 6



These drawings and specifications, and the data contained therein, are the exclusive property of Xerox Corporation and/or Rank Xerox, Ltd. issued in strict confidence and shall not, without the prior written permission of Xerox Corporation or Rank Xerox, Ltd., be reproduced, copied or used for any purpose whatsoever, except the manufacture of articles for Xerox Corporation or Rank Xerox, Ltd.

Title  
 ALTO II  
 ASSEMBLY, CABLE - HY-TYPE/XREG  
 (INTERNAL)

Xerox Corporation El Segundo, California		<b>XEROX</b>
216416	C	
Sheet	3	OF 6



Wire No.	Term	From	To	Term	Type	Notes	Signal	Chg. Let.
1		J3 - 13	J2 - 1		50		PPPSTR	
2		25	2				PREST	
3		12	3				PAIG	
4		24	4				PCHSTR	
5		11	5				PCAASTR	
6		23	6				PDATA 1024	
7		10	7				" 512	
8		22	8				" 256	
9		9	9				" 128	
10		21	10				" 64	
11		8	11				" 32	
12		20	12				" 16	
13		7	13				" 8	
14		10	14				" 4	
15		6	15				" 2	
16		18	16				" 1	
17		5	17				PPFRDY	
18		17	18				PCHK	
19		4	19				PPD	
20		16	20				PCHPDY	
21		3	21				PRDY	
22		15	22				PCARRDY	
23		2	23				GND	
24		14	24				GND	
25		J3 - 1	J2 - 25				GND	
26		J4 - 13	J2 - 26		50		GND	

These drawings and specifications, and the data contained therein, are the exclusive property of Xerox Corporation and/or Bask Xerox, Ltd. issued in strict confidence and shall not, without the prior written permission of Xerox Corporation or Bask Xerox, Ltd., be reproduced, copied or used for any purpose whatsoever, except the specific purpose of which they were prepared.

1. Ref Item No's in Applicable Material List.
2. Ref Designations Are Abbreviated. Prefix Each Designation With:

Title

ALTO II  
ASSEMBLY, CABLE -  
HY TYPE/X REG (INTERNAL)

Xerox Corporation  
El Segundo, California

XEROX

216416

C

Sheet

5

Wire No.	Term	From	To	Term	Type	Notes	Signal	Chg. Let.
		J4 - 25	J2 - 27		50			
28		12	28				X 0	
29		24	29				X 8	
30		11	30				X 1	
31		23	31				X 9	
32		10	32				X 2	
33		22	33				X 10	
34		9	34				X 3	
35		21	35				X 11	
36		8	36				X 4	
37		20	37				X 12	
38		7	38				X 5	
39		19	39				X 13	
40		6	40				X 6	
41		18	41				X 14	
42		5	42				X 7	
43		17	43				X 15	
44		4	44					
45		16	45					
46		3	46				GND	
47		15	47				GND	
48		2	48				X REG	
49		14	49				SEL 1	
50		J4 - 1	J2 - 50		50		SPARE	
							SEL 0	

These drawings and specifications, and the data contained therein, are the exclusive property of Xerox Corporation and/or Bank Xerox, Ltd. issued in strict confidence and shall not, without the prior written permission of Xerox Corporation or Bank Xerox, Ltd. be made public, copied or used for any purpose whatsoever, except the manufacture of articles for Xerox Corporation or Bank Xerox, Ltd.

1. Ref Item No's in Applicable Material List.
2. Ref Designations Are Abbreviated. Prefix Each Designation With:

Title  
ALTO II  
ASSEMBLY, CABLE-  
RY TYPE/X REG (INTERNAL)

Xerox Corporation  
El Segundo, California

**XEROX**

216415

C

Sheet 6 of 6